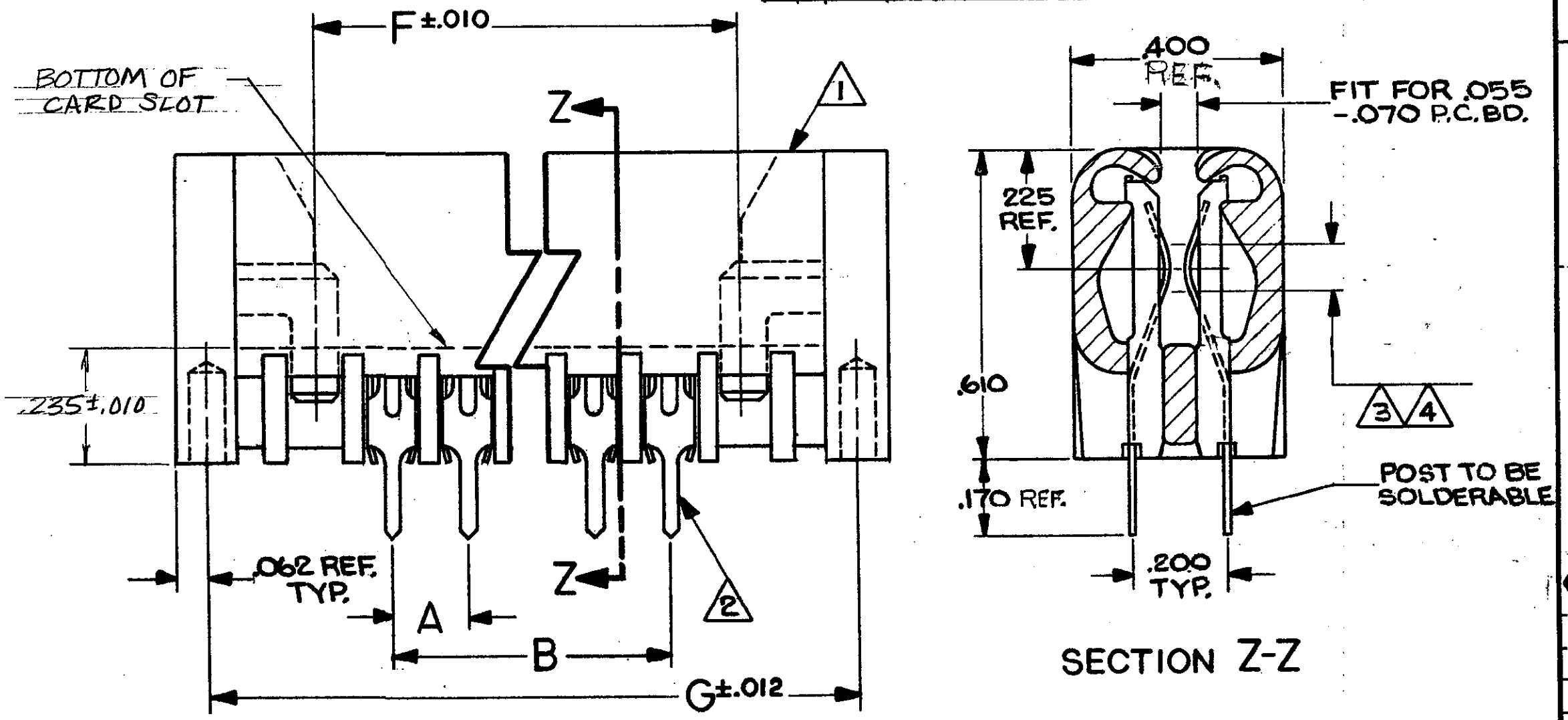


THIS DRAWING IS UNPUBLISHED. RELEASED FOR PUBLICATION 19

© COPYRIGHT 1970 BY AMP INCORPORATED, HARRISBURG, PA. ALL INTERNATIONAL RIGHTS RESERVED. AMP PRODUCTS MAY BE COVERED BY U.S. AND FOREIGN PATENTS AND/OR PATENTS PENDING.

PART NUMBER	NO. OF POS.	A	B	F	G	FINISH
583679	1	.125	3.125	3.375	3.759	3
	2		.250	.500	.884	
	3		.375	.625	1.009	
	4		.500	.750	1.134	
	5		.625	.875	1.259	
	6		.750	1.000	1.384	
	7		.875	1.125	1.509	
	8		1.000	1.250	1.634	
	9		1.125	1.375	1.759	
1583679	0		1.250	1.500	1.884	
	1		1.375	1.625	2.009	
	2		1.500	1.750	2.134	
	3		1.625	1.875	2.259	
	4		1.750	2.000	2.384	
	5		1.875	2.125	2.509	
	6		2.000	2.250	2.634	
	7		2.125	2.375	2.759	
	8		2.250	2.500	2.884	
	9		2.375	2.625	3.009	
2583679	0		2.500	2.750	3.134	
	1		2.625	2.875	3.259	
	2		2.750	3.000	3.384	
	3		2.875	3.125	3.509	
	4		3.000	3.250	3.634	
	5		3.250	3.500	3.884	
	6		3.375	3.625	4.009	
	7		3.500	3.750	4.134	
	8		3.625	3.875	4.259	
	9		3.750	4.000	4.384	
3583679	0		3.875	4.125	4.509	
	1		4.000	4.250	4.634	
	2		4.125	4.375	4.759	
	3		4.250	4.500	4.884	
	4		4.375	4.625	5.009	
	5		4.500	4.750	5.134	
	6		4.625	4.875	5.259	
	7		4.750	5.000	5.384	
	8		4.875	5.125	5.509	
	9		5.000	5.250	5.634	
4583679	0		5.125	5.375	5.759	
	1		5.250	5.500	5.884	
	2		5.375	5.625	6.009	
	3		5.500	5.750	6.134	
	4		5.625	5.875	6.259	
	5		5.750	6.000	6.384	
	6		5.875	6.125	6.509	
	7		6.000	6.250	6.634	
	8		6.125	6.375	6.759	
	9		6.250	6.500	6.884	
5583679	0		6.375	6.625	6.909	3
	1		6.500	6.750	7.034	4
	2	.125	7.000	7.250	7.634	4

REVISONS		DATE	APPROVED
H	REDRAW W/O CHANGE 8070	10-82	
J	REV PER AD1583	2/4/87	CP
K	REV PER AD 1633	6-25-87	LEW
L	REV PER AD 1698	8-5-87	LEW
M	REV PER AD 1868	2/2/88	
N	REV PER AD 2110	3/88	LEW
P	REV PER AD 2949	11/88	LEW/HWR
R	REV PER AD 3150	2/92	LEW/HWR
S	REV PER AD4165	12/89	CP
T	REV PER AD 3493	3/90	BB/HWR
U	REV 0010-0252-93	3-8-93	BB/DMA
V	OBS PER ECN 0618-93	7-93	RAC/D
W	REV PER 0010-1602-95	1-96	PB/T
Y	REV PER EC 0320-209-97	7-97	NS



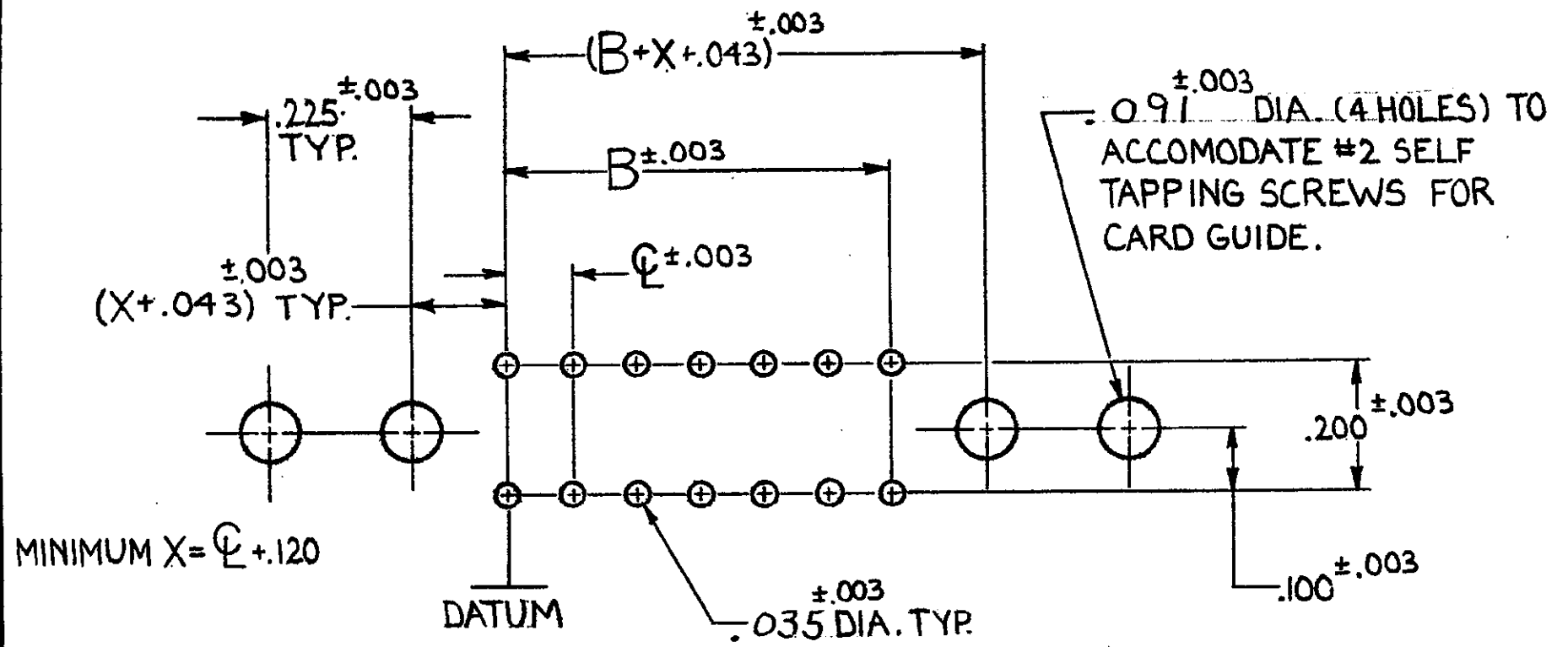
OBSOLETE

- ① HOUSING MATERIAL : GLASS-FILLED POLYESTER, COLOR-BLACK.
- ② CONTACT MATERIAL : PHOSPHOR BRONZE
- ③ FINISH : .000015 GOLD, SELECTIVE
- ④ FINISH : .000030 GOLD, SELECTIVE

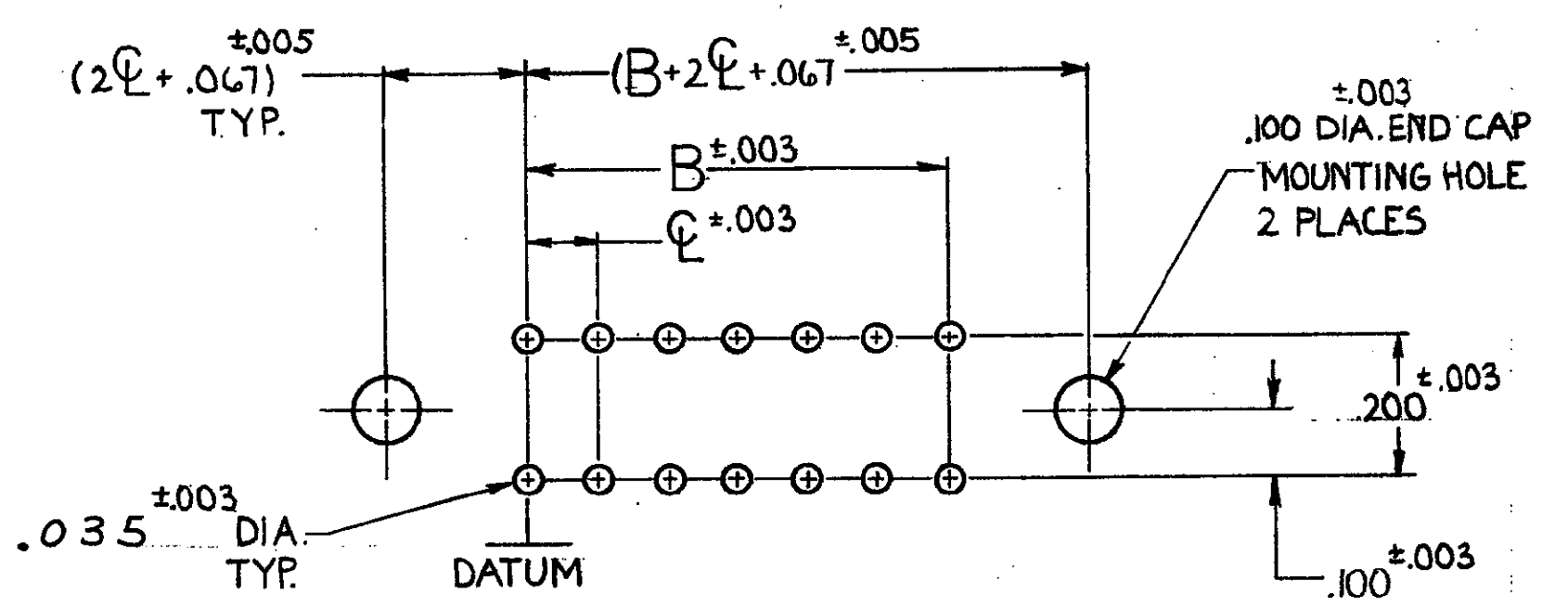
UNLESS OTHERWISE SPECIFIED DIMENSIONS ARE IN INCHES. TOLERANCES ON: DECIMALS ±.005 ANGLES		CONTRACT NO 9-9-82		AMP INCORPORATED Harrisburg, Pa. 17105	
MATERIAL ①②		DR. <i>A.M. SHARPE</i> CHK. <i>Ray</i>		NAME ASSEMBLY, TWIN LEAF, .125¢	
FINISH ③④		APPD. <i>Ray Johnston</i> APPD. <i>M.R. Johnson</i>		.010x.024 SOLDER TYPE POST, END CAP VERSION	
		DSGN APPD		SIZE C	FSCM NO 00779
		OTHER APPD		DRAWING NO 583679	
				SCALE 4:1	SHEET 1 OF 2

© COPYRIGHT 1970 BY AMP INCORPORATED, HARRISBURG, PA. ALL INTERNATIONAL RIGHTS RESERVED. AMP INCORPORATED PRODUCTS COVERED BY U. S. AND FOREIGN PATENTS AND/OR PATENTS PENDING.

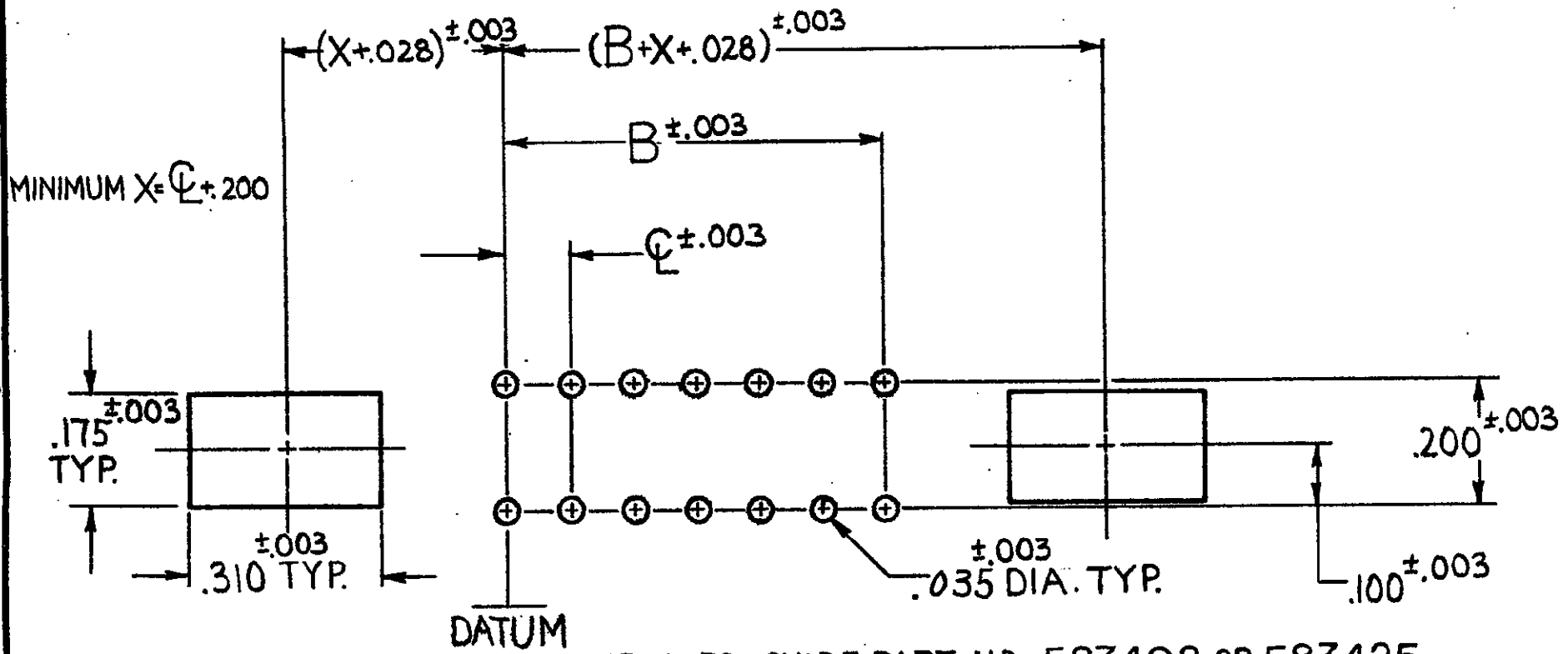
REVISIONS				DATE	APPROVED
P/F	ZONE	LTR	DESCRIPTION		
			SEE SHEET 1		



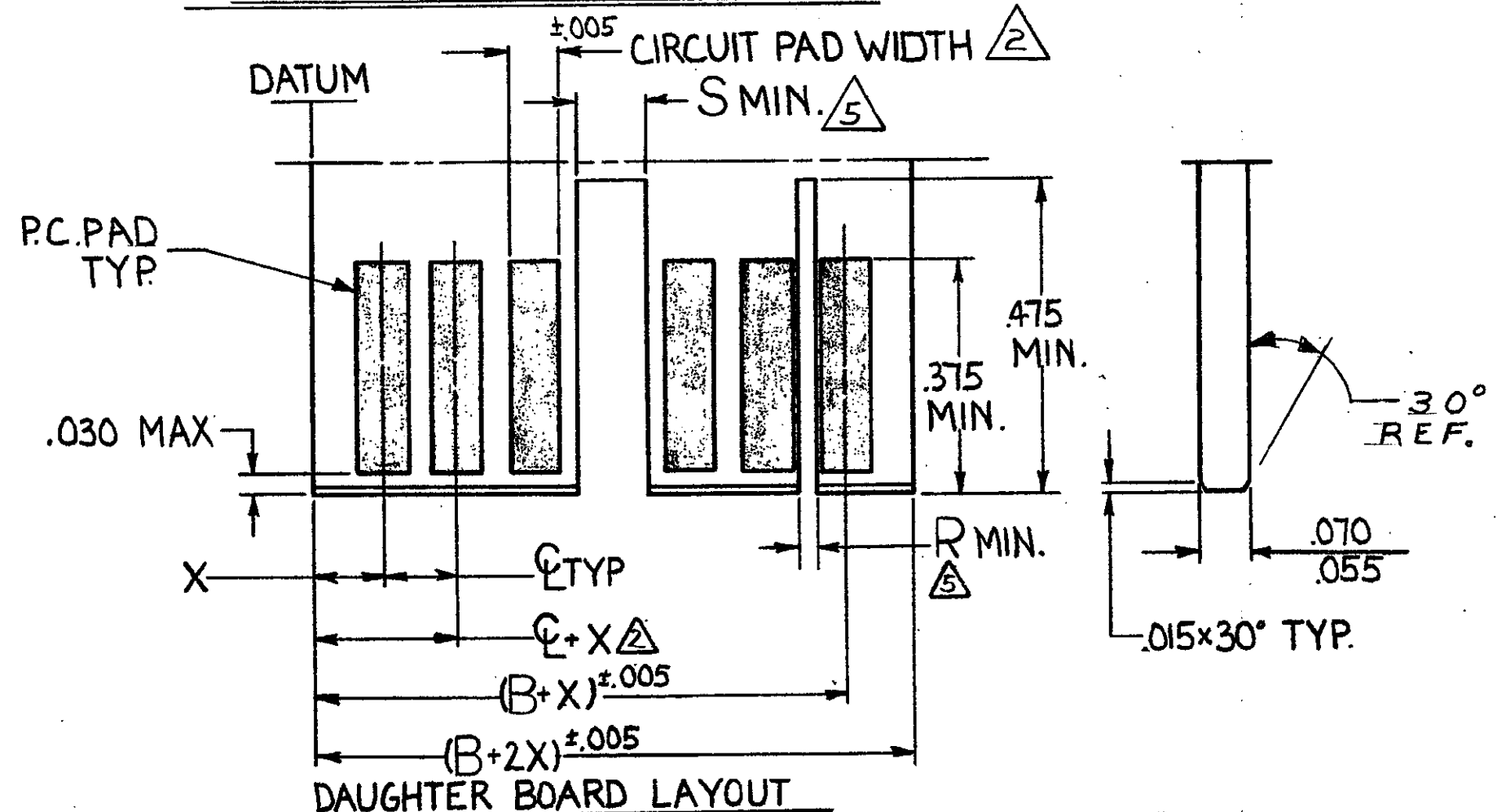
BOARD LAYOUT FOR USE WITH AMP CARD GUIDE PART NO. 583671



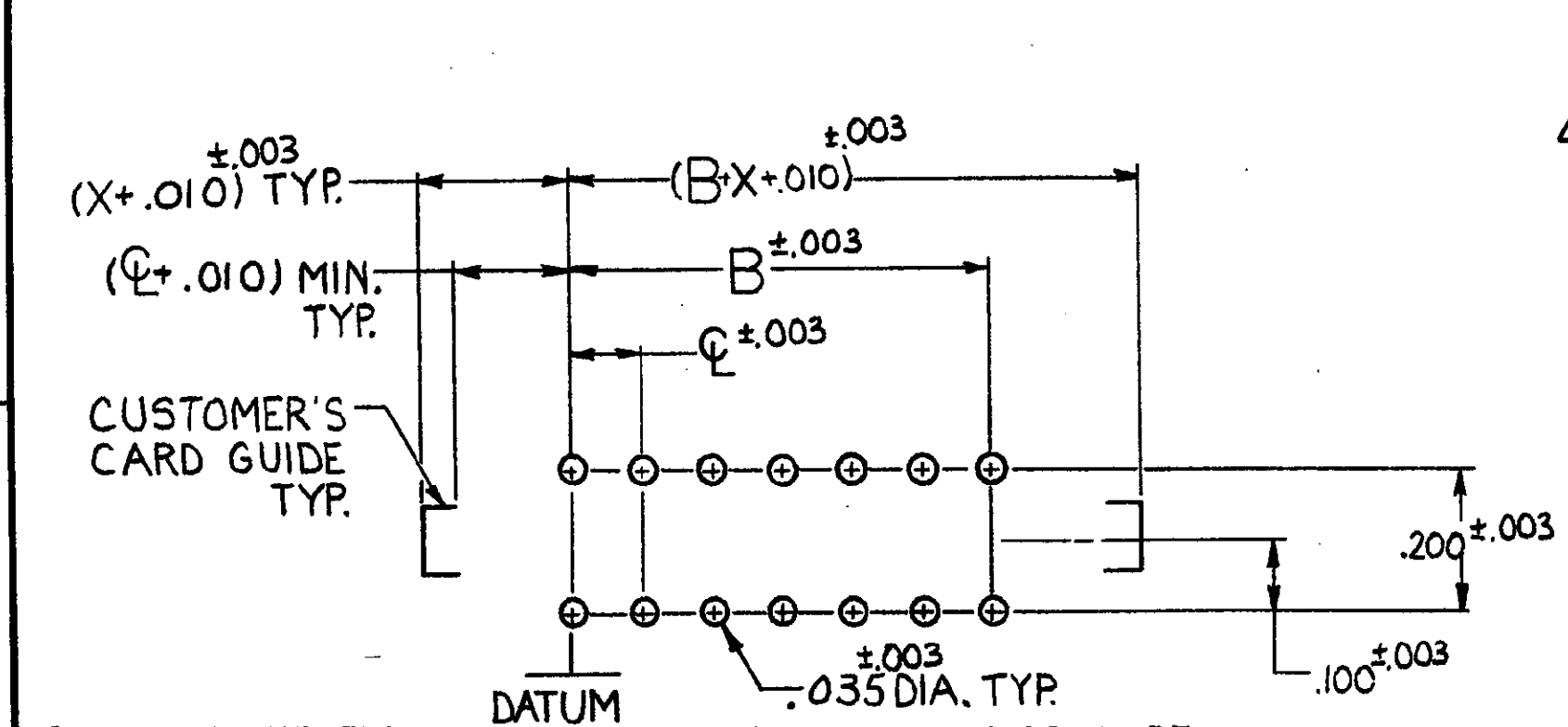
BOARD LAYOUT FOR USE WITH END CAP



BOARD LAYOUT FOR USE WITH AMP CARD GUIDE PART NO. 583408 OR 583425



DAUGHTER BOARD LAYOUT



BOARD LAYOUT FOR USE WITH CUSTOMER SUPPLIED CARD GUIDE.

1. MAX. ALLOWABLE WARPAGE OF MOTHER BOARD NOT TO EXCEED .005/INCH. MAX. ALLOWABLE BOW OF DAUGHTER BOARD NOT TO EXCEED .010/INCH. THICKNESS OF MOTHER BOARD IS .062 FOR DOUBLE SLOTTED CARD GUIDES AND .104 MAX. FOR ALL OTHER MOUNTING CONDITIONS.
2. EACH PAD LOCATION INCREASES BY  $C \pm .005$  WITH A NON-CUMULATIVE TOLERANCE OF  $\pm .005$ .  
CIRCUIT PAD WIDTH - .045 FOR .100  $C$ , .072 FOR .150  $C$ ,  
.072 FOR .125  $C$ , .080 FOR .156  $C$
3. DIMENSIONS APPLY TO BOTH SIDES OF DAUGHTER BOARD.
4.  $C$  INCREMENTS ON MOTHER BOARD HAVE  $\pm .003$  NON-CUMULATIVE TOLERANCE.
5.  $X$  IS A CUSTOMER CONTROLLED DIMENSION EXCEPT FOR END CAP ASSEMBLIES WHERE  $X = C - .008$
6. THE SLOT FOR INTER-CONTACT KEYING PLUGS MUST BE CENTERED BETWEEN THE PRINTED CIRCUIT PADS, WHILE THE SLOT FOR ON-CONTACT KEYING PLUGS MUST BE CENTERED ON THE AREA OF A PRINTED CIRCUIT PAD.

INTER-CONTACT KEYING PLUG	R	FOR CENTER LINE SPACING	ON-CONTACT KEYING PLUG	S	FOR CENTER LINE SPACING
530030-1	.050	.125-.150-.156	583714-1	.129	.100-.125
530030-2	.040	.100	583714-2	.160	.150-.156

UNLESS OTHERWISE SPECIFIED DIMENSIONS ARE IN INCHES. TOLERANCES ON: DECIMALS ± ANGLES ±	CONTRACT NO	AMP INCORPORATED Harrisburg, Pa.	
	DR <i>M. Smith</i> 10-6-82	NAME HOUSING ASSEMBLY TWIN LEAF CONNECTOR .125 CENTERS	
	CHK <i>Ray</i> 10-11-82	SIZE	CODE IDENT NO
	APPD <i>Ray Johnston</i> 10-11-82	C	00779
MATERIAL	APPD <i>MR. T. ...</i> 10-12-82	DRAWING NO	583679
FINISH	DSGN APPD	SCALE	#
	OTHER APPD	SHEET 2 OF 2	